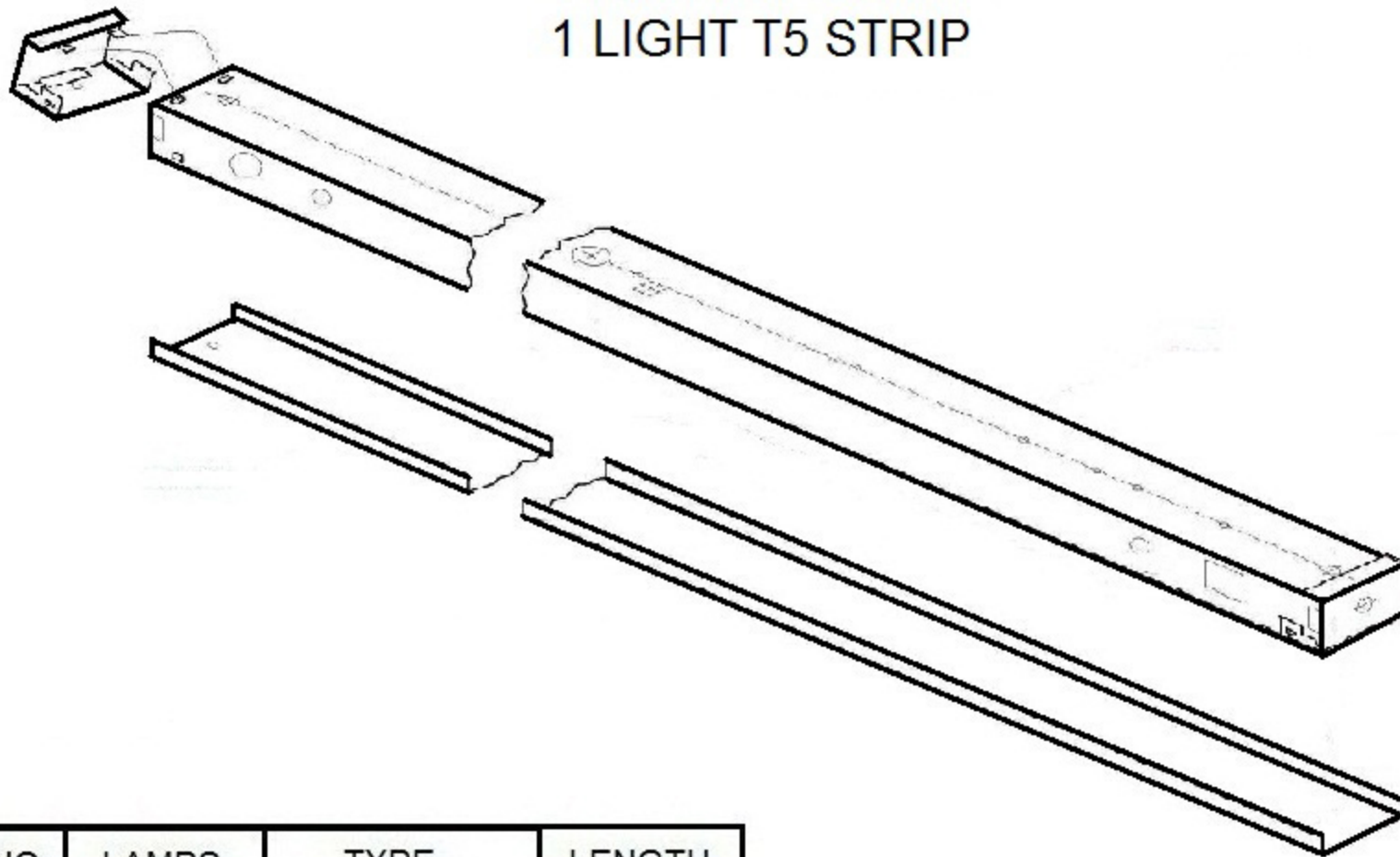


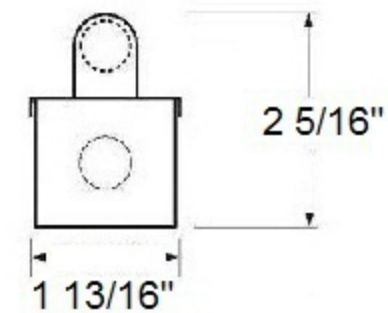
# SURF LIGHTING INC.

210 WEST 24 ST. HIALEAH, FL. 33010 TEL: (305) 888-7851 FAX. (305) 883-8611

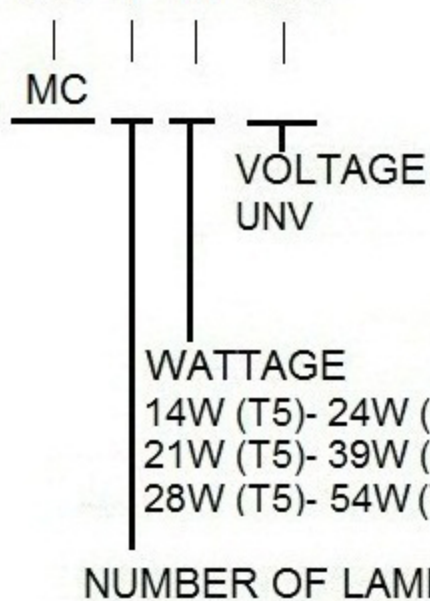
## MC MINI CHANNEL 1 LIGHT T5 STRIP



CATALOG NO.	LAMPS	TYPE	LENGTH
MC	1	T5	22"
MC	1	T5	34"
MC	1	T5	46"



Ex. MC 1 54 UNV



### GENERAL DESCRIPTION

A NARROW 1 LIGHT FLUORESCENT STRIP FIXTURE SUITABLE FOR A WIDE RANGE OF APPLICATIONS.

ALL FIXTURE PARTS SNAP TOGETHER FOR EASE OF INSTALLATION AND MAINTENANCE

### SPECIFICATIONS

**HOUSING:** DIE-FORMED HEAVY-GAUGE COLD ROLLED STEEL.

**FINISH:** WHITE POLYESTER POLYMER WITH A MINIMUM OF 82% REFLECTIVITY.

**MOUNTING:** DESIGNED FOR SURFACE OR STEM HANGING. CAN BE INSTALLED AS INDIVIDUAL UNITS OR IN CONTINUOUS ROWS.

### NOTES

DIMENSIONS SUBJECT TO CHANGE WITHOUT NOTICE.