

# SURF LIGHTING INC.

210 WEST 24 ST. HIALEAH, FL. 33010 TEL: (305) 888-7851 FAX. (305) 883-8611

## CENTURY COLLECTION

### SPECIFICATIONS

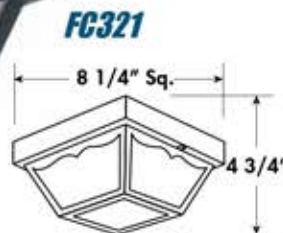
- 120V INPUT VOLTAGE, 50/60Hz
- HIGH POWER FACTOR
- AMBIENT OPERATING TEMPERATURE -40°C (-40°F) TO +50°C (122°F)
- ESTIMATED 50,000 HRS  $L_{70}^*$
- 5 YEAR WARRANTY



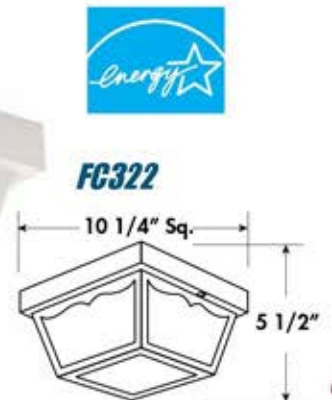
- MOLDED OF DURABLE NON-CORROSIVE UV RESISTANT RESINS
- POLYPROPYLENE DIFFUSER & ALUMINUM BASE
- UL LISTED FOR DAMP LOCATIONS



RoHS compliant



FC321



FC322

**PATENT PENDING**  
Eos LIGHT ENGINE

EXAMPLE # **FC321-LE800C-BF**

STYLE #	SOURCE/WATTAGE	LUMENS/CCT	BODY	LENS	OPTIONS
FC321 = 8.25"	<b>LE800</b> = 13W POWER INPUT <b>E★</b> CRI = 80 (TYP) >65 LUMENS PER WATT**	<b>W</b> = 900lm 3000K <b>C</b> = 1000lm 4000K	<b>B</b> = BLACK <b>W</b> = WHITE	<b>F</b> = FROSTED	<b>P</b> = PHOTOCCELL
	<b>LE1200</b> = 14W POWER INPUT <b>E★</b> CRI = 80 (TYP) >80 LUMENS PER WATT**	<b>W</b> = 1350lm 3000K <b>C</b> = 1400lm 4000K			
FC322 = 10.25"	<b>LE800</b> = 13W POWER INPUT <b>E★</b> CRI = 80 (TYP) >65 LUMENS PER WATT**	<b>W</b> = 900lm 3000K <b>C</b> = 1000lm 4000K			
	<b>LE1200</b> = 14W POWER INPUT <b>E★</b> CRI = 80 (TYP) >80 LUMENS PER WATT**	<b>W</b> = 1350lm 3000K <b>C</b> = 1400lm 4000K			
	<b>LE1800</b> = 23W POWER INPUT <b>E★</b> CRI = 80 (TYP) >80 LUMENS PER WATT**	<b>W</b> = 1850lm 3000K <b>C</b> = 1900lm 4000K			